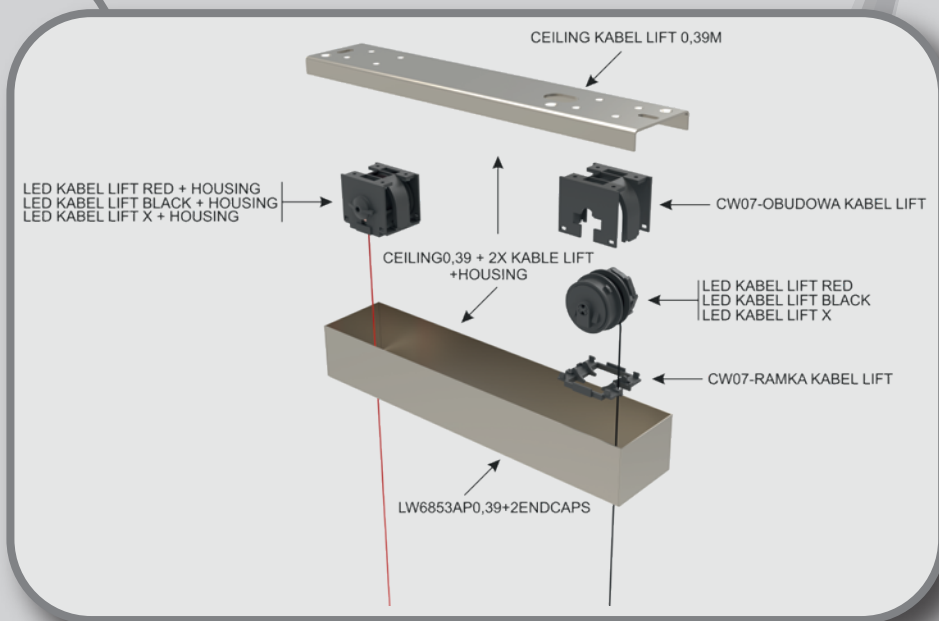
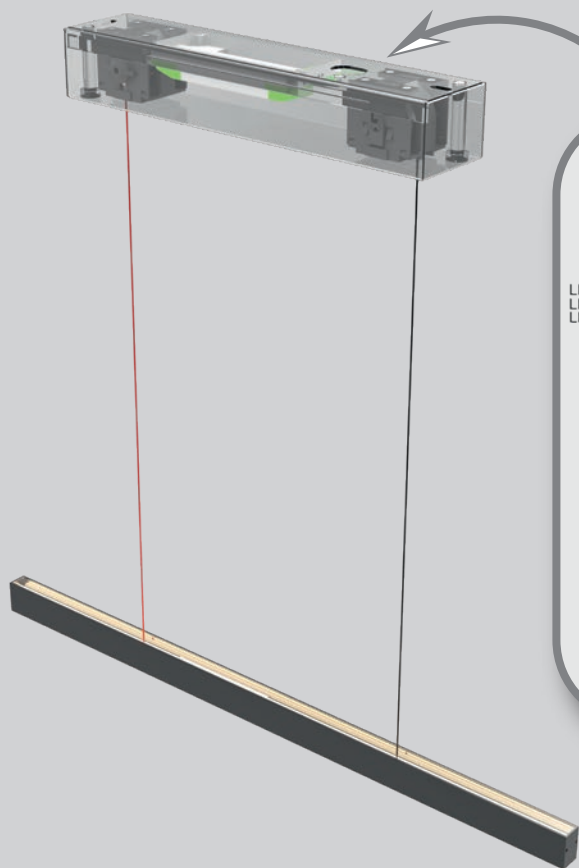


ROLLI
HEIGHT ADJUSTMENT SYSTEM

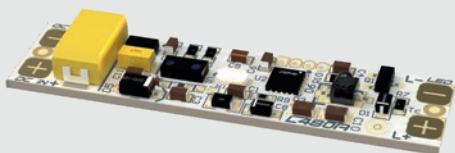




ROLLI

HEIGHT ADJUSTMENT SYSTEM

PROXIDIMMER



Optional accessory for your lamp

- Height Adjustment System for ceiling
- Dedicated **PROXIDIMMER** for **ROLLI SYSTEM**
- Compatible with frosted and opal diffuser/ cover
- Maximum voltage - 60 VDC
Maximum current - 4 A
- Min. lamp weight = 400g
Max. lamp weight = 3kg

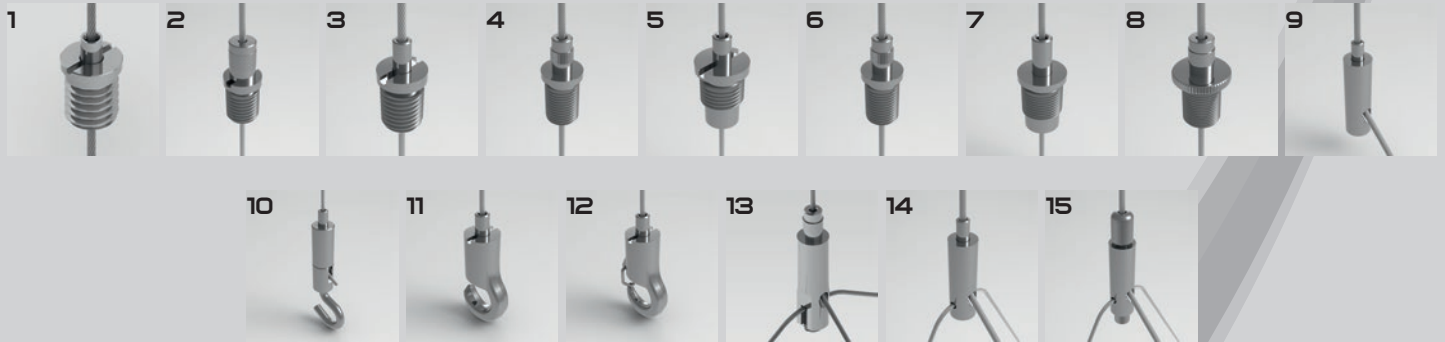
Rolli max. load 1,1kg/mechanism		
	Typ	Art.no
1	Mechanism Rolli "+" 2,4m cord	LED KABEL LIFT RED
2	Mechanism Rolli "-" 2,4m cord	LED KABEL LIFT BLACK
3	Mechanism Rolli X 2,4m cord	LED KABEL LIFT X
4	Frame for Rolli	CW07-RAMKA KABEL LIFT
5	Housing for Rolli	CW07-OBUDOWA KABEL LIFT
6	Mechanism Rolli "+" in plastic housing 2,4m cord	LED KABEL LIFT RED + HOUSING
7	Mechanism Rolli "-" in plastic housing 2,4m cord	LED KABEL LIFT BLACK + HOUSING
8	Mechanism Rolli X in plastic housing 2,4m cord	LED KABEL LIFT X + HOUSING
9	Ceiling bracket 390mm	CEILING KABEL LIFT 0,39M
10	Ceiling bracket 390mm with 2 mechanism "+" and "-" in plastic housing 2,4m cord	CEILING0,39 + 2X KABLE LIFT + HOUSING
11	Alu cover profile 390mm with 2x end cups	LW6853AP0,39+2ENDCAPS

Rolli max. load 3kg/mechanism		
	Typ	Art.no
1	Mechanism Rolli CRBN "+" 2,4m cord	LED KABEL LIFT CRBN RED
2	Mechanism Rolli CRBN "-" 2,4m cord	LED KABEL LIFT CRBN BLACK
3	Mechanism Rolli CRBN X 2,4m cord	LED KABEL LIFT CRBN X
4	Frame for Rolli	CW07-RAMKA KABEL LIFT
5	Housing for Rolli	CW07-OBUDOWA KABEL LIFT
6	Mechanism Rolli CRBN "+" in plastic housing 2,4m cord	LED KABEL LIFT CRBN RED + HOUSING
7	Mechanism Rolli CRBN "-" in plastic housing 2,4m cord	LED KABEL LIFT CRBN BLACK + HOUSING
8	Mechanism Rolli CRBN X in plastic housing 2,4m cord	LED KABEL LIFT CRBN X + HOUSING
9	Ceiling bracket 390mm	CEILING KABEL LIFT 0,39M
10	Ceiling bracket 390mm with 2 mechanism CRBN "+" and "-" in plastic housing 2,4m cord	CEILING0,39 + 2X KABLE LIFT CRBN + HOUSING
11	Alu cover profile 390mm with 2x end cups	LW6853AP0,39+2ENDCAPS

Rolli min. load 0,2kg/mechanism		
	Typ	Art.no
1	Mechanism Rolli 0,16 "+" 2,4m cord	LED KABEL LIFT 0,16 RED
2	Mechanism Rolli 0,16 "-" 2,4m cord	LED KABEL LIFT 0,16 BLACK
3	Mechanism Rolli 0,16 X 2,4m cord	LED KABEL LIFT 0,16 X
4	Frame for Rolli	CW07-RAMKA KABEL LIFT
5	Housing for Rolli	CW07-OBUDOWA KABEL LIFT
6	Mechanism Rolli 0,16 "+" in plastic housing 2,4m cord	LED KABEL LIFT 0,16 RED + HOUSING
7	Mechanism Rolli 0,16 "-" in plastic housing 2,4m cord	LED KABEL LIFT 0,16 BLACK + HOUSING
8	Mechanism Rolli 0,16 X in plastic housing 2,4m cord	LED KABEL LIFT 0,16 X + HOUSING
9	Ceiling bracket 390mm	CEILING KABEL LIFT 0,39M
10	Ceiling bracket 390mm with 2 mechanism 0,15 "+" and "-" in plastic housing 2,4m cord	CEILING0,39 + 2X KABLE LIFT 0,15 + HOUSING
11	Alu cover profile 390mm with 2x end cups	LW6853AP0,39+2ENDCAPS

BRASS PARTS FOR SUSPENSIONS OF LUMINAIRES

BLOCKERS FOR STEEL ROPES



CEILING PARTS



BLOCKERS FOR STEEL ROPES			
NO.	ARTICLE NUMBER	DIMENSIONS [mm]	THREAD [M/mm]
1	CT01-1636-0711-0345-3114	7x 11	M6x10
2	CT01-1635-0912-0346-3114	9x12	M8x1x10
3	CT10-1636-0912-0344-3114	9x12	M8x1x10
4	CT01-1665-1217-0350-3114	12x17	M10x1x15
5	CT01-1636-1216-0351-3114	12x16	M10x1x8
6	CT10-1635-1217-0355-3114	12x17	M10x1x15
7	CT01-1665-1520-0356-3114	15x20	M13x1x12
8	CT01-1635-1920-0500-3114	19x20	M13x1x17
9	CT10-1640-0929-0325-3114	9x29	M4/M5/M6
10	CT01-1667-0931-0381-3114	9x31	HOOK 14/8
11	CT10-1667-1030-0383-3114	10x30	HOOK 17/10,5
12	CT01-1666-1030-0385-3114	10x30	HOOK 16
13	CT10-1660-1032-0379-3114	10x32	M6x8
14	CT01-1660-0928-0600-3114	9x28	M5x5
15	CT01-1660-0930-0601-3114	9x30	M5x8

STEEL ROPES			
NO.	ARTICLE NUMBER	LENGTH [m]/THICKNESS [mm]	ENDING/SIZE [mm]
1	CT09LI0,10/1,2/K	0,10/1,2	BALL/5-6
2	CT09LI0,25/1,2/K	0,25/1,2	BALL/5-6
3	CT09LI0,50/1,2/K	0,50/1,2	BALL/5-6
4	CT09LI1,25/1,2	1,25/1,2	BALL/5-6
5	CT09LI1,5/1,2	1,5/1,2	BALL/5-6
6	CT09LI2/1,2	2/1,2	BALL/5-6
7	CT09LI3/1,2	3/1,2	BALL/5-6
8	CT09LI5/1,2	5/1,2	BALL/5-6

CEILING PARTS			
NO.	ARTICLE NUMBER	DIMENSIONS [mm]	THREAD [M/mm]
1	CT10-1684-1615-0906-3114	16x15	M10x1
2	CT10-1670-1210-0907-3114	12x10	M10x1x8
3	CT10-1682-1629-0390-3114	16x29	M10x1



CEZOS
OLGIERDA 88/B
81-534 GDYNIA, POLAND



[+48] 58 6648861



CEZOS@CEZOS.COM



WWW.CEZOS.COM